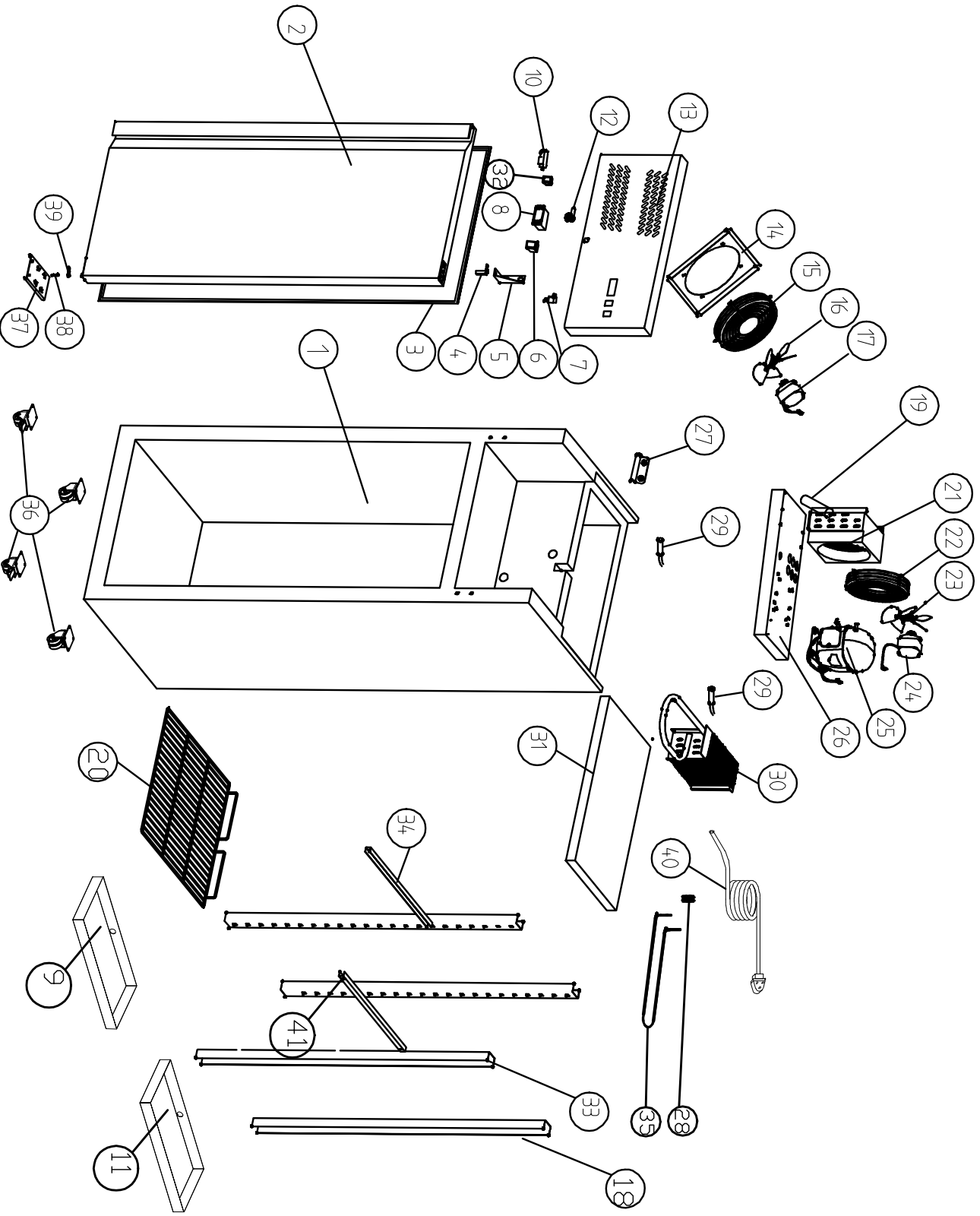


GEH800BT



GEH800BT SPARE PARTS LIST

	CODE	CODE L2G	Name	Désignation	DESCRIPTION	UNIT	QTY	REMARK
1	SKC-0-000-1061-0	#N/A	Body	CORPS		SET	1	
2	SKC-0-000-0005-0	GE800BT-2	Door	PORTE		SET	1	
3	SKC-2-110-0037-0	GE800BT-3	Gasket	JOINT	PVC	PC	1	
4	SKC-2-160-0600-0	#N/A	Door Spring	RESSORT DE PORTE		PC	1	
5	SKC-2-001-0153-0	GN1200TN.05	UP HINGE/RIGHT	CHARNIERE SUPERIEURE DROITE	201#	PC	1	
6	SKC-4-050-0001-0	GE800BT-6	main switch	BOUTON M/A		PC	1	
7	SKC-4-050-0005-0	GN1200TN.06	door swith	BOUTON DE PROTE		PC	1	
8	SKC-4-030-0018-0	PA800BT-4	thermostat	THERMOSTAT	DIXELL 06	PC	1	
9	SKC-0-000-1064-0	#N/A	outer water pan	BAC DE RECUPERATION D'EAU		PC	1	
10	SKC-4-050-0056-0	#N/A	LED light	LED		PC	1	
11	SKC-0-000-1062-0	#N/A	inner water pan	BAC DE RECUPERATION D'EAU		PC	1	
12	SKC-2-170-0081-0	GN1200TN.07	lock	SERRURE		PC	1	
13	SKC-2-002-0759-0	#N/A	front panel	PANNEAU FRONTAL	201#	PC	1	
14	SKC-2-002-3009-0	#N/A	fan cover	CACHE VENTILATEUR	201#	PC	1	
15	SKC-2-120-0042-0	#N/A	fan grill	FRILLE DE VENTILATEUR		PC	1	
16	SKC-2-105-0002-0	GN1200TN.15	fan blade	HELICE DE VENTILATEUR		PC	1	
17	SKC-4-001-0003-0	GN1200TN.16	motor	MOTEUR	EBM 10w	PC	1	
18	SKC-2-001-3014-0	#N/A	shelf support	MONTANT ARRIERE	201#	PC	2	
19	SKC-2-103-0001-0	GN1200TN.19	dry filter	DESHYDRATEUR		PC	1	
20	SKC-2-120-0007-0	PA800BT-5	shelf	GRILLE		PC	10	
21	SKC-2-102-0056-0	PA800BT-3	condenser	CONDENSEUR		PC	1	
22	SKC-2-120-0041-0	#N/A	fan grill	GRILLE DE VENTILATEUR		PC	1	
23	SKC-2-105-0001-0	#N/A	fan blade	HELICE DE VENTILATEUR		PC	1	
24	SKC-4-001-0004-0	#N/A	motor	MOTEUR	EBM 7w	PC	1	
25	SKC-4-040-0113-0	PA800BT-1	compressor	GLISSIERE	SCOPE	PC	1	
26	SKC-2-001-0518-0	#N/A	unit board	PLAQUE SUPPORT GROUPE		PC	1	
27	SKC-2-002-0036-0	BBT350L.50	probe pad	SUPPORT SONDE		PC	1	
28	SKC-4-060-0001-0	#N/A	overheat protector	PROTECTION THERMIQUE		PC	1	
29	SKC-4-030-0005-0	#N/A	probe	SONDE	1.5m	PC	2	
30	SKC-2-101-0089-0	PA800BT-2	evaporator	EVAPORATEUR		PC	1	
31	SKC-0-000-1054-0	#N/A	top	DESSUS		SET	1	
32	SKC-4-050-0009-0	#N/A	defrost indicator	INDICATEUR DE DEGIVRAGE		PC	1	
33	SKC-2-001-3013-0	#N/A	shelf support	MONTANT AVANT	201#	PC	2	

GEH800BT SPARE PARTS LIST

	CODE	CODE L2G	Name	Désignation	DESCRIPTION	UNIT	QTY	REMARK
34	SKC-2-001-0103-0	#N/A	guide left	GLISSIERE GAUCHE	201#	PC	10	
35	SKC-4-020-0069-0	GE800BT-18	heator	RESISTANCE D'EVAPORATION		PC	1	
36	SKC-2-140-0005-0	#N/A	castor with brake	ROULETTE AVEC FREIN		PC	2	
	SKC-2-140-0004-0	#N/A	castor without brake	ROULETTE SANS FREIN		PC	2	
37	SKC-2-001-0385-0	GN1200TN.45	DOWN HINGE/RIGHT	CHARNIERE INFERIEURE DROITE	201#	PC	1	
38	SKC-2-170-0211-0	BBT350L.31	hinge axis	AXE DE CHARNIERE	304#	PC	1	
39	SKC-2-110-0353-0	GN1200TN.43	shaft sleeve	MANCHON		PC	1	
40	SKC-4-010-0080-0	#N/A	power core	CABLE D'ALIMENTATION ELECTRIQUE	EU	PC	1	